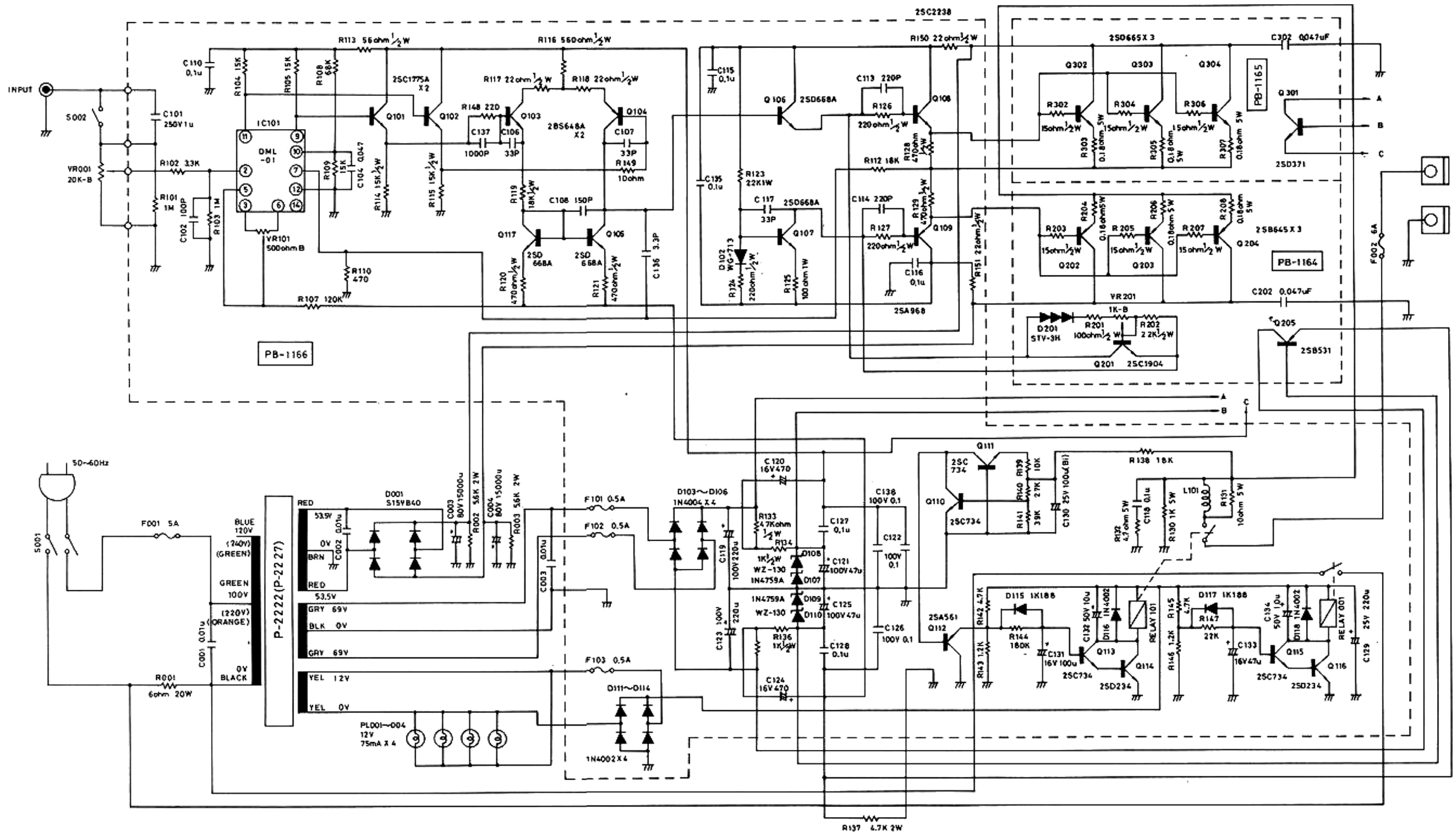


**HiFi ENGINE®**

For more Hi-Fi manuals and set-up information  
please visit [www.hifiengine.com](http://www.hifiengine.com)



1. Unless otherwise specified, all resistors are in ohm  $\frac{1}{2}$  watt, all capacitors are in micro farad ( $\mu F$ ).
2. Transistors, IC and diodes may be replaced with any types having comparable rating.
3. There might be slight changes in the actual set.